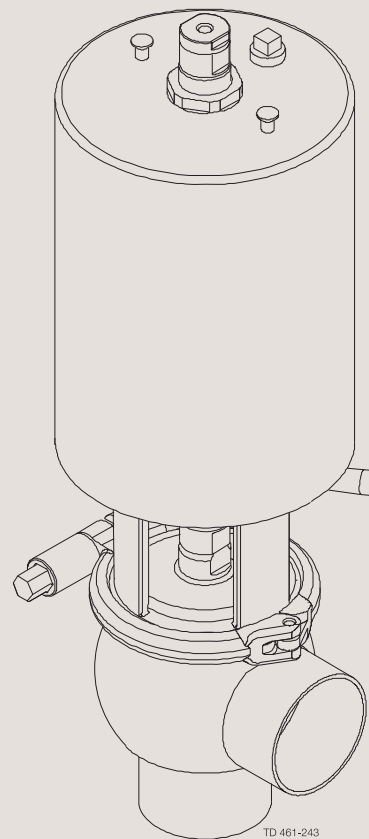
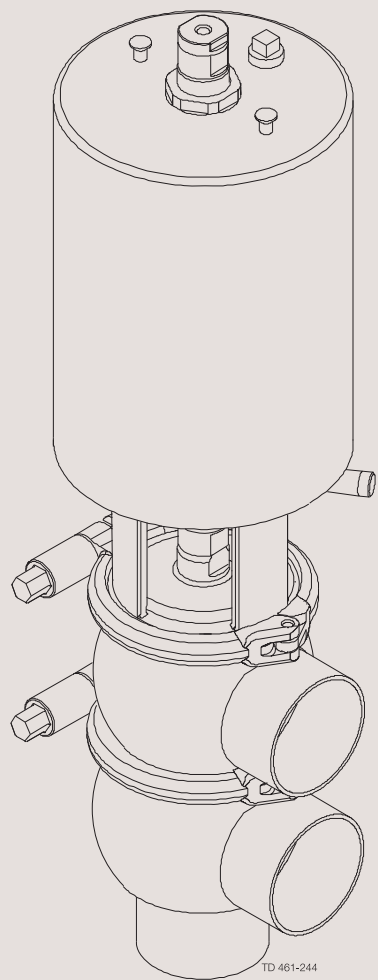


Spare Parts

Unique SSV - Aseptic





CSI

CONTACT CSI FOR MORE INFORMATION | CSIDESIGNS.COM | SALES@CSIDESIGNS.COM | 417.831.1411

The information herein is correct at the time of issue but may be subject to change without prior notice

- 1. Important information 4
- 2. Shut-off valve - 1"to 4" - elastomer plug seal 6
- 3. Change-over valve - 1"to 4" - elastomer plug seal 8
- 4. Mounting tool 12



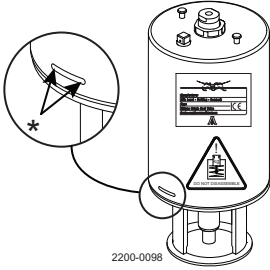
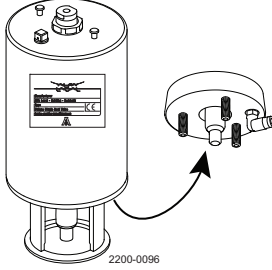

1 Important information

Different actuator types for the SSV valve

In June 2016 the below change was implemented and the “removable yoke with bolts” version is thereby phased out and replaced by the “yoke without bolts” version.

NOTE

It is important to check for warnings marked on the actuator when servicing an actuator - see below table.

<p>Actuator type</p>	<p>Non-maintainable actuator Spring under load and CANNOT be opened</p>  <p>*) Lock wire opening is locked when warning is marked on actuator</p>	<p>Fully maintainable actuator Spring cage and can be opened</p> 	<p>Fully maintainable actuator Spring cage and can be opened</p> 
<p>Yoke type</p>	<p>Non-removable yoke</p>	<p>“Removable yoke with bolts”. If the yoke with bolts is damaged it has to be replaced by the “yoke without bolts”</p>	<p>“Yoke without bolts”</p>
<p>Service</p>	<p>Not possible to service internally (it is not possible to change piston O-rings)</p>	<p>Yes</p>	<p>Yes</p>
<p>Marked with warnings</p>	<p>Yes</p>	<p>No</p>	<p>No</p>
<p>Year of production</p>	<p>From 2006</p>	<p>From 2006 to June 2016</p>	<p>From June 2016</p>



CSI

CONTACT CSI FOR MORE INFORMATION | CSIDESIGNS.COM | SALES@CSIDESIGNS.COM | 417.831.1411

Shut-off valve - 1"to 4" - elastomer plug seal

If the actuator is marked with a danger warning do **NOT** attempt to cut the actuator open.



Do **NOT** attempt to disassemble the actuator due to spring under load danger.

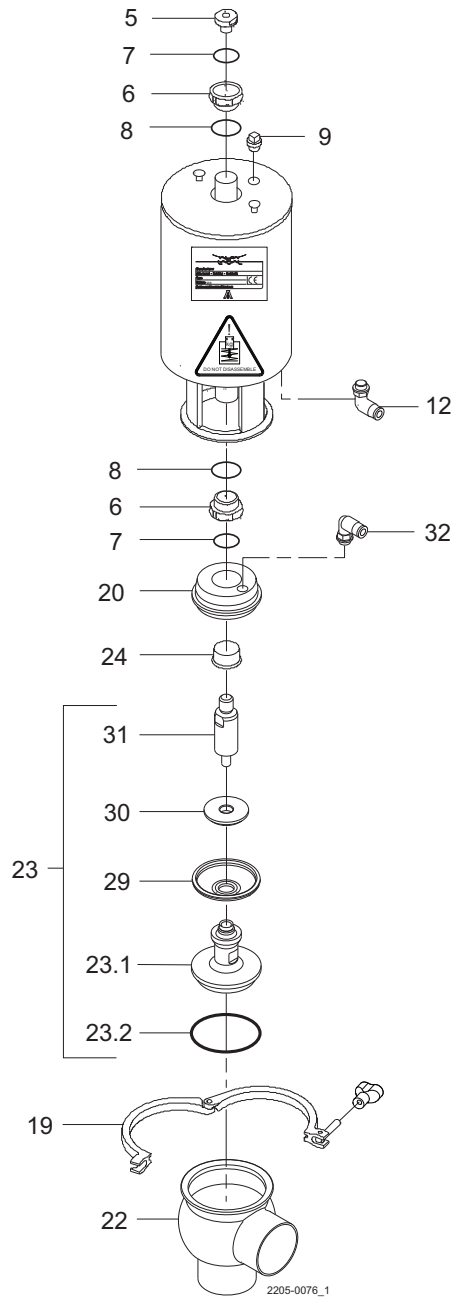


Do **NOT** attempt to cut the actuator open, due to spring under load danger.

AND



Do **NOT** attempt to cut the actuator open, due to spring under load danger.



Shut-off valve - 1"to 4" - elastomer plug seal

Pos	Qty	Denomination	1"	1½"	2"	2½"	3"	4"
Actuator								
		Actuator, complete (NO)	9613154831	9613154831	9613154832	9613154833	9613154834	9613154835
		Actuator, complete (NC)	9613154836	9613154836	9613163137	9613154838	9613154839	9613163140
		Actuator, complete (A/A)	9613163141	9613163141	9613163142	9613163143	9613163144	9613163145
5	1	Adapter, plastic (- 0115)						
	1	Adapter, steel (0115 - 0518)						
	1	Adapter, steel (0518 -)	9615374701	9615374701	9615374701	9615374701	9615374701	9615374701
6	□ 2	Bushing						
7	□ 2	O-ring						
8	□ 2	O-ring						
9	1	Plug	9613414101	9613414101	9613414101	9613414101	9613414101	9613414101
12	1(2)	Air fitting	9611994682	9611994682	9611994682	9611994682	9611994682	9611994682
Clamp								
19	1	Clamp	9612939316	9612939316	9612939317	9612939318	9612939319	9612939320
Bonnet								
20	1	Bonnet	9613142701	9613142701	9613142801	9613142901	9613143001	9613143101
24	1	Bushing	9613125002	9613125002	9613125002	9613125002	9613125002	9613125002
Valve Body								
22	1	Valve body, lower, 2 ports, clamp	9613139513	9613139515	9613139517	9613139519	9613139521	9613139523
	1	Valve body, lower, 3 ports, clamp	9613139514	9613139516	9613139518	9613139520	9613139522	9613139524
	1	Valve body, lower, 2 ports, welding ends	9613161601	9613161603	9613161605	9613161607	9613161609	9613161611
	1	Valve body, lower, 3 ports, welding ends	9613161602	9613161604	9613161606	9613161608	9613161610	9613161612
Valve Plug								
23	1	Plug, shut-off, complete, EPDM (standard)	9613159901	9613159902	9613159903	9613159904	9613159905	9613159906
	1	Plug, shut-off, complete, HNBR	9613159913	9613159914	9613159915	9613159916	9613159917	9613159918
	1	Plug, shut-off, complete, FPM	9613159925	9613159926	9613159927	9613159928	9613159929	9613159930
23.1	1	Plug, shut-off	9613143501	9613144501	9613143401	9613143402	9613143403	9613143404
23.2♦	1	Plug seal, EPDM (standard)						
	1	Plug seal, HNBR						
	1	Plug seal, FPM						
23.2	1	Plug seal, set (10 pcs.) EPDM	9614059401	9614059404	9614059407	9614059410	9614059413	9614059416
	1	Plug seal, set (10 pcs.) HNBR	9614059402	9614059405	9614059408	9614059411	9614059414	9614059417
	1	Plug seal, set (10 pcs.) FPM	9614059403	9614059406	9614059409	9614059412	9614059415	9614059418
29 ♦	1	Diaphragm						
	1	Diaphragm, set (10 pcs.)	9614059437	9614059437	9614059438	9614059439	9614059440	9614059441
30	1	Disc for diaphragm	9613144001	9613144001	9613144101	9613144201	9613144301	9613144301
31	1	Upper spindle	9613144601	9613144601	9613143302	9613143302	9613143301	9613143301
32	1	Air fitting	9611994877	9611994877	9611994682	9611994682	9611994682	9611994682
			1"	1½"	2"	2½"	3"	4"

Actuator

□	Service kit	9611926500	9611926500	9611926500	9611926500	9611926500	9611926500	9611926500
---	-------------------	------------	------------	------------	------------	------------	------------	------------

Product wetted parts

♦	Service kit, EPDM	9611926543	9611926544	9611926545	9611926546	9611926547	9611926548
♦	Service kit, HNBR	9611926549	9611926550	9611926551	9611926552	9611926553	9611926554
♦	Service kit, FPM	9611926555	9611926556	9611926557	9611926558	9611926559	9611926560

Parts marked with □ are included in the service kits (actuator).

Parts marked with ♦ are included in the service kits (product wetted parts).

Recommended spare parts: Service kits.

TD 900366/6



Change-over valve - 1" to 4" - elastomer plug seal

If the actuator is marked with a danger warning do **NOT** attempt to cut the actuator open.



Do **NOT** attempt to disassemble the actuator due to spring under load danger.

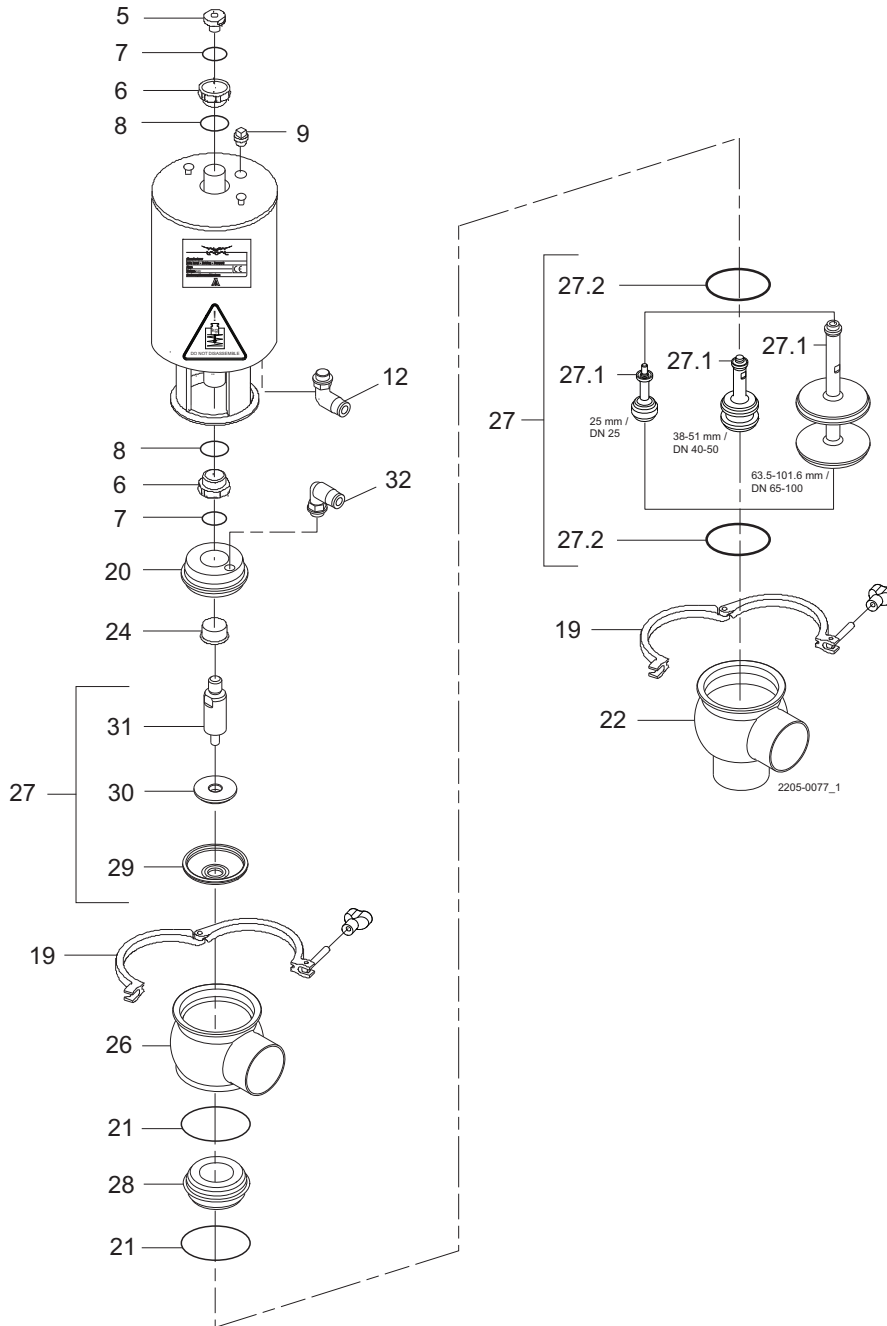


Do **NOT** attempt to cut the actuator open, due to spring under load danger.

AND



Do **NOT** attempt to cut the actuator open, due to spring under load danger.



Change-over valve - 1"to 4" - elastomer plug seal

Pos	Qty	Denomination	1"	1½"	2"	2½"	3"	4"
Actuator								
		Actuator, complete (NO)	9613154831	9613154831	9613154832	9613154833	9613154834	9613154835
		Actuator, complete (NC)	9613154836	9613154836	9613163137	9613154838	9613154839	9613163140
		Actuator, complete (A/A)	9613163141	9613163141	9613163142	9613163143	9613163144	9613163145
5	1	Adapter, plastic (- 0115)						
	1	Adapter, steel (0115 - 0518)						
	1	Adapter, steel (0518 -)	9615374701	9615374701	9615374701	9615374701	9615374701	9615374701
6	□	Bushing						
7	□	O-ring						
8	□	O-ring						
9	1	Plug	9613414101	9613414101	9613414101	9613414101	9613414101	9613414101
12	1(2)	Air fitting	9611994682	9611994682	9611994682	9611994682	9611994682	9611994682
Clamp								
19	2	Clamp	9612939316	9612939316	9612939317	9612939318	9612939319	9612939320
Bonnet								
20	1	Bonnet	9613142701	9613142701	9613142801	9613142901	9613143001	9613143101
24	1	Bushing	9613125002	9613125002	9613125002	9613125002	9613125002	9613125002
Seat								
21	♦	O-ring, EPDM (standard)						
	2	O-ring, NBR						
	2	O-ring, FPM						
	1	O-ring, set (10 pcs.) EPDM	9614059422	9614059422	9614059425	9614059428	9614059431	9614059434
	1	O-ring, set (10 pcs.) HNBR	9614059423	9614059423	9614059426	9614059429	9614059432	9614059435
	1	O-ring, set (10 pcs.) FPM	9614059424	9614059424	9614059427	9614059430	9614059433	9614059436
28	1	Seat	9613127501	9613127502	9613127503	9613127504	9613127505	9613127506
Valve Body								
22	1	Valve body, upper, 1 ports, clamp	9613161501	9613161503	9613161505	9613161507	9613161509	9613161511
	1	Valve body, upper, 2 ports, clamp	9613161502	9613161504	9613161506	9613161508	9613161510	9613161512
26	1	Valve body, upper, 1 ports, welding ends	9613139313	9613139315	9613139317	9613139319	9613139321	9613139323
	1	Valve body, upper, 2 ports, welding ends	9613139314	9613139316	9613139318	9613139320	9613139322	9613139324
	1	Valve body, lower, 2 ports, clamp	9613161601	9613161603	9613161605	9613161607	9613161609	9613161611
	1	Valve body, lower, 3 ports, clamp	9613161602	9613161604	9613161606	9613161608	9613161610	9613161612
	1	Valve body, lower, 2 ports, welding ends	9613139513	9613139515	9613139517	9613139519	9613139521	9613139523
	1	Valve body, lower, 3 ports, welding ends	9613139514	9613139516	9613139518	9613139520	9613139522	9613139524
Valve Plug								
27	1	Plug, change-over, complete, EPDM (standard)	9613160001	9613160002	9613160003	9613160004	9613160005	9613160006
	1	Plug, change-over, complete, HNBR	9613160013	9613160014	9613160015	9613160016	9613160017	9613160018
	1	Plug, change-over, complete, FPM	9613160025	9613160026	9613160027	9613160028	9613160029	9613160030
27.1	1	Plug, change-over	9613143601	9613143901	9613143902	9613143903	9613143904	9613143905
27.2	♦	Plug seal, EPDM (standard)						
	2	Plug seal, HNBR						
	2	Plug seal, FPM						
	2	Plug seal, set (10 pcs.) EPDM	9614059401	9614059404	9614059407	9614059410	9614059413	9614059416
	2	Plug seal, set (10 pcs.) HNBR	9614059402	9614059405	9614059408	9614059411	9614059414	9614059417
	2	Plug seal, set (10 pcs.) FPM	9614059403	9614059406	9614059409	9614059412	9614059415	9614059418
29	♦	Diaphragm						
	1	Diaphragm, set (10 pcs.)	9614059437	9614059437	9614059438	9614059439	9614059440	9614059441
30	1	Disc for diaphragm	9613144001	9613144001	9613144101	9613144201	9613144301	9613144301
31	1	Upper spindle	9613144601	9613144601	9613143302	9613143302	9613143301	9613143301
32	1	Air fitting	9611994877	9611994877	9611994682	9611994682	9611994682	9611994682
			1"	1½"	2"	2½"	3"	4"

Actuator

□	Service kit	9611926500	9611926500	9611926500	9611926500	9611926500	9611926500	9611926500
---	-------------------	------------	------------	------------	------------	------------	------------	------------

Product wetted parts

♦	Service kit, EPDM	9611926615	9611926616	9611926617	9611926618	9611926619	9611926620
♦	Service kit, HNBR	9611926621	9611926622	9611926623	9611926624	9611926625	9611926626
♦	Service kit, FPM	9611926627	9611926628	9611926629	9611926630	9611926631	9611926632

Parts marked with □ are included in the service kits (actuator).

Parts marked with ♦ are included in the service kits (product wetted parts).

Recommended spare parts: Service kits.

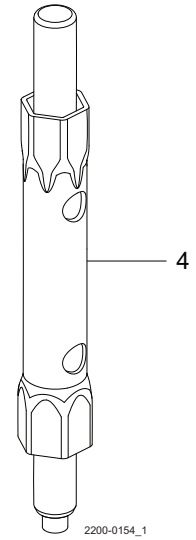
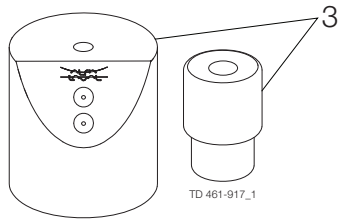
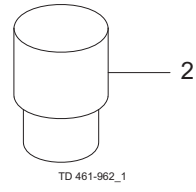
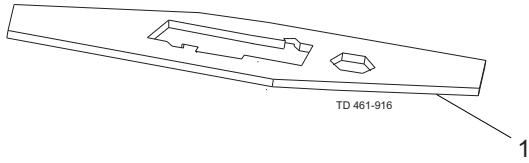






CSI

CONTACT CSI FOR MORE INFORMATION | CSIDESIGNS.COM | SALES@CSIDESIGNS.COM | 417.831.1411



Mounting tool

Pos	Qty	Denomination	25-63.5 mm	76.1-101.6 mm
1	1	Service tool for Maintainable actuator	3135302191	9612455001

TD 900513

Pos	Qty	Denomination	25-101.6 mm
2	1	Tool for bushing (pos. 24)	9613160901

TD 900519

Pos	Qty	Denomination	DN 25 25 mm	DN 40 38 mm	DN 50 51 mm	DN 65 63.5 mm	DN 80 76.1 mm	DN 100 101.6 mm
3	1	Mounting tool for elastomer plug seals	9614060001	9614060002	9614060003	9614060003	9614060004	9614060004

TD 900-702

Pos	Qty	Denomination	DN 25-100 25-101.6 mm
4	1	Tool for actuator bushing (pos. 6)	9614198401

TD 900-701



How to contact Alfa Laval

Contact details for all countries are continually updated on our website.

Please visit www.alfalaval.com to access the information directly.

© Alfa Laval Corporate AB

This document and its contents is owned by Alfa Laval Corporate AB and protected by laws governing intellectual property and thereto related rights. It is the responsibility of the user of this document to comply with all applicable intellectual property laws. Without limiting any rights related to this document, no part of this document may be copied, reproduced or transmitted in any form or by any means (electronic, mechanical, photocopying, recording, or otherwise), or for any purpose, without the expressed permission of Alfa Laval Corporate AB. Alfa Laval Corporate AB will enforce its rights related to this document to the fullest extent of the law, including the seeking of criminal prosecution.



CSI

CONTACT CSI FOR MORE INFORMATION | CSIDESIGNS.COM | SALES@CSIDESIGNS.COM | 417.831.1411