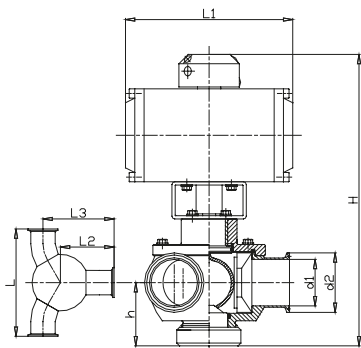
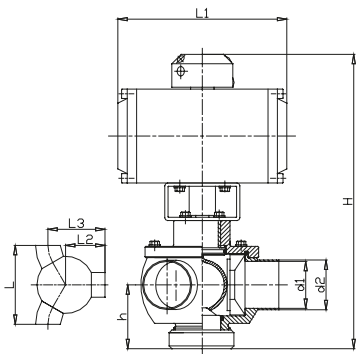
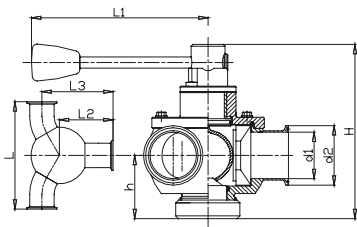
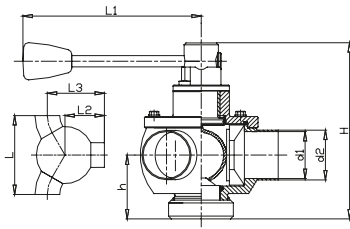




Nominal sizes	
Inch:	1.5" / 2" / 2.5" / 3" / 4"
DIN:	40 / 50 / 65 / 80 / 100
Materials	
Inox parts in contact with product:	AISI 316L (1.4404 / 1.4435)
Other inox parts:	AISI 304 (1.4301)
O-ring seals:	EPDM, FKM (Viton®), FEP, other grades upon request
Shutter:	Dyneon™ TFM1600
Surfaces	
In contact with product:	Ra ≤ 32µin (Ra ≤ 0.8µm)
Temperature	
Operating temperature:	230°F (110°C)
Short-term:	284°F (140°C) – optionally up to 392°F (200°C)
Operating pressure	
Pressure behind arc:	145 psi (10 bar) – optionally up to 290.1 psi (20 bar)
Pressure against arc:	43.5 psi (3 bar)
Version	3-way (3 x 120°)
Operation	
Manual:	with handle (3 locking positions)
Pneumatic:	horizontal pneumatic actuator (aluminium housing)
Valve connection	
Clamp connection:	Tri-Clamp
Welded ends:	Inch, DIN
Male ends:	DIN 11851
Further options / Certificates	
<ul style="list-style-type: none"> • Shutter material; alternatively glass-fiber reinforced Teflon (GL25), Tecapeek® • Heated version • Combination of different types of connection • Delivery and adaptation to actuators of different manufacture per Namur NE14 and DIN EN ISO5211 • EHEDG certified CIP/SIP capability (hygienic design) • 3-A 51-01 and FDA compliance • CRN 	

PIG DIVERTER SHUTTER VALVES



Inch

90°/120° pig diverter shutter valve, manual, welded ends

VALVE SIZE inch (mm)	Type	Ø d1	Ø d2	H	h	L	L1	L2	L3
1.50 (38.1)	38CV53M21	1.37 (34.8)	1.50 (38.1)	7.09 (180)	2.56 (65)	5.16 (131)	6.30 (160)	2.58 (65.5)	3.78 (96)
2.00 (50.8)	51CV53M21	1.87 (47.5)	2.00 (50.8)	7.48 (190)	2.76 (70)	6.06 (154)	7.48 (190)	3.03 (77)	4.49 (114)
2.50 (63.5)	63CV53M21	2.37 (60.2)	2.50 (63.5)	7.87 (200)	2.95 (75)	7.80 (198)	7.48 (190)	3.90 (99)	5.43 (138)
3.00 (76.2)	76CV53M21	2.87 (72.9)	3.00 (76.2)	8.46 (215)	3.15 (80)	8.58 (218)	7.48 (190)	4.29 (109)	6.22 (158)
4.00 (101.6)	102CV53M21	3.83 (97.4)	4.00 (101.6)	10.43 (265)	4.33 (110)	11.73 (298)	10.63 (270)	5.87 (149)	8.54 (217)

90°/120° pig diverter shutter valve, manual, TC-clamp

VALVE SIZE inch (mm)	Type	Ø d1	Ø d2	H	h	L	L1	L2	L3
1.50 (38.1)	38CV530M21	1.37 (34.8)	1.99 (50.5)	7.09 (180)	2.56 (65)	6.14 (156)	6.30 (160)	3.07 (78)	4.29 (109)
2.00 (50.8)	51CV530M21	1.87 (47.5)	2.52 (64)	7.48 (190)	2.76 (70)	7.05 (179)	7.48 (190)	3.52 (89.5)	5.00 (127)
2.50 (63.5)	63CV530M21	2.37 (60.2)	3.05 (77.5)	7.87 (200)	2.95 (75)	8.78 (223)	7.48 (190)	4.39 (111.5)	5.94 (151)
3.00 (76.2)	76CV530M21	2.87 (72.9)	3.58 (91)	8.46 (215)	3.15 (80)	9.57 (243)	7.48 (190)	4.78 (121.5)	6.73 (171)
4.00 (101.6)	102CV530M21	3.83 (97.4)	4.69 (119)	10.43 (265)	4.33 (110)	12.72 (323)	10.63 (270)	6.36 (161.5)	9.06 (230)

90°/120° pig diverter shutter valve, pneumatic (air/air), welded ends

VALVE SIZE inch (mm)	Type	Ø d1	Ø d2	H	h	L	L1	L2	L3
1.50 (38.1)	38CV53Ab21	1.37 (34.8)	1.50 (38.1)	12.87 (327)	2.56 (65)	5.16 (131)	7.17 (182)	2.58 (65.5)	3.78 (96)
2.00 (50.8)	51CV53Ab21	1.87 (47.5)	2.00 (50.8)	13.11 (333)	2.76 (70)	6.06 (154)	7.17 (182)	3.03 (77)	4.49 (114)
2.50 (63.5)	63CV53Ab21	2.37 (60.2)	2.50 (63.5)	13.66 (347)	2.95 (75)	7.80 (198)	7.17 (182)	3.90 (99)	5.43 (138)
3.00 (76.2)	76CV53Ab21	2.87 (72.9)	3.00 (76.2)	14.80 (376)	3.15 (80)	8.58 (218)	9.29 (236)	4.29 (109)	6.22 (158)
4.00 (101.6)	102CV53Ab21	3.83 (97.4)	4.00 (101.6)	16.85 (428)	4.33 (110)	11.73 (298)	9.29 (236)	5.87 (149)	8.54 (217)

90°/120° pig diverter shutter valve, pneumatic (air/air), TC-clamp

VALVE SIZE inch (mm)	Type	Ø d1	Ø d2	H	h	L	L1	L2	L3
1.50 (38.1)	38CV530Ab21	1.37 (34.8)	1.99 (50.5)	12.87 (327)	2.56 (65)	6.14 (156)	7.17 (182)	3.07 (78)	4.29 (109)
2.00 (50.8)	51CV530Ab21	1.87 (47.5)	2.52 (64)	13.11 (333)	2.76 (70)	7.05 (179)	7.17 (182)	3.52 (89.5)	5.00 (127)
2.50 (63.5)	63CV530Ab21	2.37 (60.2)	3.05 (77.5)	13.66 (347)	2.95 (75)	8.78 (223)	7.17 (182)	4.39 (111.5)	5.94 (151)
3.00 (76.2)	76CV530Ab21	2.87 (72.9)	3.58 (91)	14.80 (376)	3.15 (80)	9.57 (243)	9.29 (236)	4.78 (121.5)	6.73 (171)
4.00 (101.6)	102CV530Ab21	3.83 (97.4)	4.69 (119)	16.85 (428)	4.33 (110)	12.72 (323)	9.29 (236)	6.36 (161.5)	9.06 (230)